

Putzmeister TELEBELT ADVANTAGE



Placement Versatility

A Telebelt offers a quick way to easily clear obstacles and place material exactly where you want it without the need for all-wheel drive mixer trucks, skid-steer loaders or other equipment. Ideal for maneuvering around a variety of job sites including mat pours, backfilling, tilt-up projects, bridge decks and slab work.



A Clean, Efficient & Lower Cost Site

Telebelts do not require priming and all material can be run off the belts eliminating waste. A highly efficient spring-tensioned carbide scraper system helps to keep job sites clean.



Setup Convenience

An integral part of the feed conveyor, the folding hopper makes setup a breeze. Side panels fold into the feed conveyor and end panels connect with linchpins. The belt can then be easily fed with a ready mix truck from three sides. Optional hoppers are also available for use with a skid-steer loader, front-end loader or coal chute.

Telebelt® TB 110

Telescopic Belt Conveyor



- Mass concrete placement
- Places materials from sand to 4" (100mm) rock
- Smooth surge-free conveying results
- Sets up under low 15' 9" (4.80m) heights
- 106' 1" (32.34m) horizontal reach

TB 110

Putzmeister TELEBELT ADVANTAGE



Low Clearance Projects

With extremely low unfolding heights and the ability to be moved rapidly, Putzmeister Telebelts can be set up and operated on jobs with height restrictions such as warehouse slabs. Material can be conveyed long distances in an enclosed structure, under bridges and into limited access structures.



Handles Various Materials

In addition to handling aggregates from rock to sand with ease, a Telebelt conveys a multitude of concrete mix designs at high volumes. Corps of Engineers, Federal and State DOT testing proves that Telebelts do not segregate concrete or cause air entrainment or slump loss.



Saves Time & Labor

Need to place gravel and concrete on the same site in the same day? Telebelts can perform multiple tasks from a single location. Quick setup and tear down as well as the ability to place material at high volumes enable you to complete more jobs with less manpower. Tedious tasks once requiring multiple trips with other equipment are eliminated.

Telebelt® TB 110

Telescopic Belt Conveyor Standard Features



Boom

- 106' 1" (32.34m) horizontal reach
- Low 15' 9" (4.80m) unfolding height
- Four-section telescopic boom
- Steel/aluminum base with three telescopic high strength aluminum sections
- Single control lever to extend/retract all boom sections
- Maintenance free sealed roller bearings
- Quick telescoping action
- 360° hydraulic rotation

Main Conveyor

- 18" (457mm) 3-ply nylon cord vulcanized spliced belt
- Maximum rated capacity of 360 cubic yards an hour (275m³/hr)
- Infinitely variable belt speed control from 0 to 100%
- Spring-tensioned carbide scraper system
- Active independent control of the feed and main conveyor systems

Boom Control & Operation

- Main conveyor functions controlled by Modular Boom Control (MBC) system
- Single-section maintenance without removing entire valve assembly
- Ergonomic and lightweight standard proportional radio remote control
- Independent belt speed control for main and feed conveyors
- 100' (30m) proportional cable remote included
- Manual control backup for all functions

Feeder Belt

- 38' (11.60m) aluminum independent hydraulic feed conveyor
- 360° hydraulic rotation allowing material to be loaded from any position desired
- 18" (457mm) belt can be fed by a ready mix truck, dump truck, skid-steer loader or front-end loader
- UHMW polyethylene integrated folding feeder hopper handles the toughest mixes
- Spring-tensioned carbide scraper system

Trunk/End Hose

- Standard 8" (200mm) and 12" (305mm) tremie reducers – each with 15' (4.57m) end hoses and chain binder

Material Handling

- Handles the harshest concrete mix designs at any slump
- No special mix requirements
- Places any type of flowable material

Power

- Driven by two full horsepower rated air shift rear PTOs from the Mack MRU 613 405 hp (302kW) engine
- Low engine RPM and 150 hp (112kW) for reduced fuel costs

Outriggers

- Quick and easy setup in congested areas
- Compact footprint
- Sets up on solid or rough terrain
- Unique butterfly design outriggers manually swing out and hydraulically extend up or down

Clean Out

- Requires only water to clean
- High pressure 2,500 psi (173 bar) hydraulically-driven pressure washer system
- Large capacity 200 gal (757L) water tank

Additional Standard Features

- Aluminum diamond plate deck
- Large side-mounted aluminum toolbox
- High quality paint finish
- Operators manuals and ship-away kit
- Air-activated pusher axle ensures compliance with federal bridge formula weight requirements

Available Options

- Rock hopper
- Front-end loader hopper
- Low profile hopper
- Side loading channels
- Custom paint schemes

Consult factory for options not listed.

Putzmeister PRO-VANTAGE® WARRANTY PLAN

The PRO-VANTAGE® Warranty Plan extends the coverage on all Putzmeister Telebelts® for a total of 36 months or 6,600 hours at no extra charge.



Ideal for countless applications, including:

- Mat Pours
- Backfill
- Bridge Decks
- Slope Paving
- Retaining Walls
- Slabs
- Landscaping
- Dams
- Environmental Projects
- Tilt-Up Panels
- Basements
- Foundations/Footings

Putzmeister

TELEBELT VERSATILITY



Telebelts Meet your Material Placement Needs

The world's only truck-mounted telescopic belt conveyor, the Putzmeister Telebelt is a modern marvel. Able to place countless materials, a Telebelt allows you to efficiently handle multiple tasks on a single job site and countless applications in various setups. The machine saves time and labor with quick setup and cleanup, high volumes and precise material placement.

Concrete is just one of many materials that can be efficiently and economically placed with a Telebelt. These machines keep ready mix trucks safely at the curb and help complete pours faster. Conveying also allows for reduced cement and water content which yields a stronger and more cost effective mix.

From commercial and residential to industrial, civil and environmental, the placing possibilities with a Telebelt are limitless. It is the ideal machine to handle special materials required for unique environmental applications that are unsuitable for other equipment.

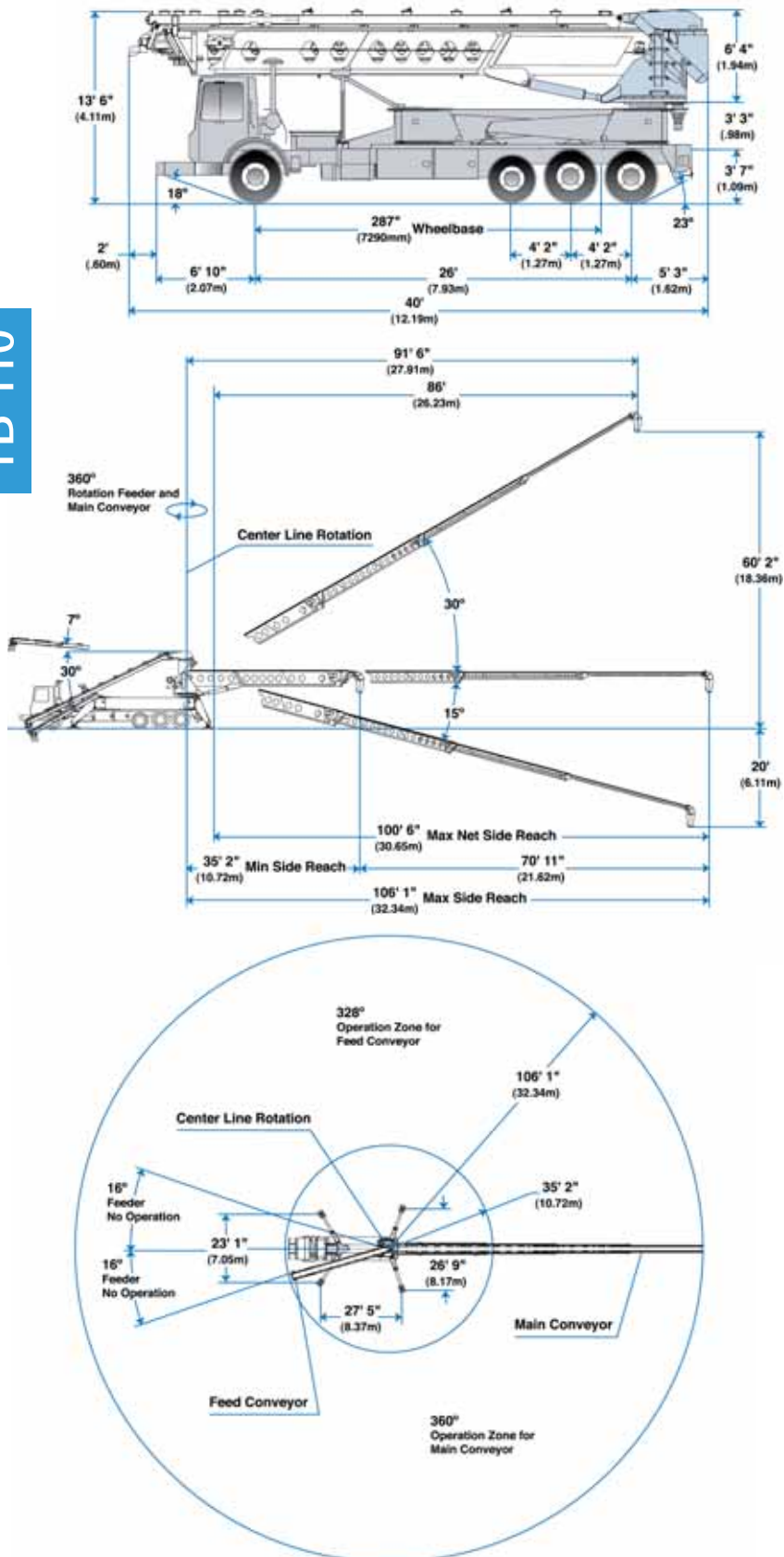
Need to place gravel and concrete on the same site in the same day? Telebelts can perform multiple tasks from a single location. Have large volumes of a single material to convey in a short amount of time?

Telebelts are ideal for many jobs like flowable fill, land fill lining and wind farm construction. These are just a few applications where a Telebelt is an invaluable asset.

Conveying Versatility – Multiple Materials in Countless Applications



11 CONCRETE 12 GRAVEL 13 PERVIOUS CONCRETE 14 SAND 15 WOOD 16 ROLLER COMPACTED CONCRETE



Photos and drawings are for illustrative purposes only.

Conveyors

Conveyor horizontal reach —		
Maximum at 0°	106' 1"	(32.34m)
Maximum at 30°	91' 6"	(27.91m)
Conveyor belt width	18"	(457mm)
Feed conveyor length	38'	(11.60m)
Feed conveyor belt width	18"	(457mm)
Trunk/end hose length	15'	(4.57m)
Discharge height from grade —		
Maximum at 30°	60' 2"	(18.36m)
Maximum at -15°	-20'	(-6.11m)
Rated capacity at 0°	6 yd ³ /min	(4.60m ³ /min)
main & feed conveyors	360 yd ³ /hr	(275m ³ /hr)
Rated capacity up to 20°	3.80 yd ³ /min	(2.90m ³ /min)
main & feed conveyors	230 yd ³ /hr	(175m ³ /hr)

Outriggers

Net reach beyond outriggers —		
at 0°	100' 6"	(30.65m)
at 30°	86'	(26.23m)
Outrigger spread L - R — front swing out hydraulic up/down	23' 1"	(7.05m)
Outrigger spread L - R — rear swing out hydraulic up/down	26' 9"	(8.17m)

General Specifications

Water tank capacity	200 gal	(757L)
Hydraulic oil tank capacity with cooler	150 gal	(568L)

Truck Specifications**

Weight	20,315 lbs	(9,215kg)
Engine horsepower	405 hp	(302kW)
Wheelbase	287"	(7,290mm)
Cab height	104"	(2,642mm)
Steering radius (outside)	45' 6"	(13.87m)
Steering angle	30°	
Fuel tank capacity	80 gal	(303L)
Transmission	Mack T309LR 9-Speed	

Transport Axle Weights**

Steering	19,253 lbs	(8,733kg)
Pusher	11,000 lbs	(4,989kg)
Tandem	31,274 lbs	(14,185kg)
Total	61,527 lbs	(27,907kg)

Maximum theoretical values listed.
 * Truck dimensions will vary with different truck makes, models and specifications.
 • Weights are approximate and include conveyor truck, full hydraulic oil, fuel, driver and 100 gal (379L) of water.
 + All specifications apply to units mounted on Mack MRU 613.



Putzmeister America, Inc.
 1733 90th Street
 Sturtevant, WI 53177 USA
 Telephone (262) 886-3200
 (800) 884-7210
 Facsimile (262) 884-6338
 www.putzmeister.com



Authorized Distributor